

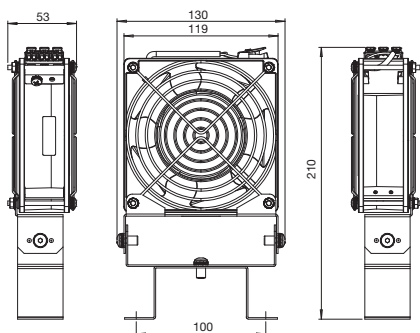


General specifications

- Prevents hot spots inside the cabinet
- Mounting by 2 screws (fixing holes ø 6mm)
- Vertical/horizontal adjustable positioning
- Metal protection guards on both sides



- ▶ Quick electrical connection with cage clamp terminal
- ▶ Easy adjustable positioning system

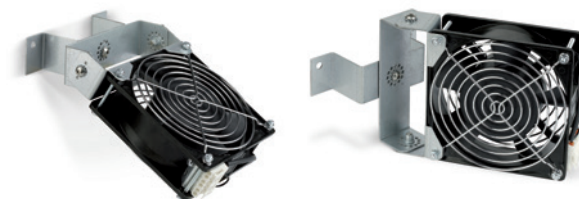


Technical data

Model	Rated Voltage	Freq.	Rated Current	Rated power	Max air flow	Static Pressure	Noise	Weight	Working Temp. Range	Approvals
	V	Hz	A	W	m ³ /h	Pa	dB(A)	Kg	°C	
OF-A12B23SWBAQ130	230 V a.c.	50/60	0.170/0.130	21/21	163/182	60/62	46.4/48.1	0.99	-10 ÷ +70	CE;

ORIENTABLE FAN

The orientable fan is designed to be mounted vertically or horizontally to eliminate hot spots and ensure distribution of air inside the enclosure.



SIMPLE POSITIONING

Adjustable in 2 axis



QUICK CONNECTION

Cage clamp free-tool wiring system